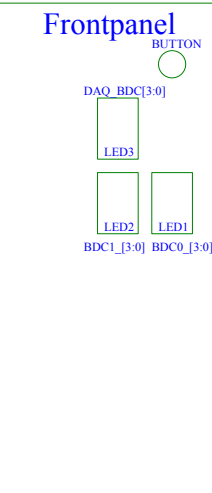
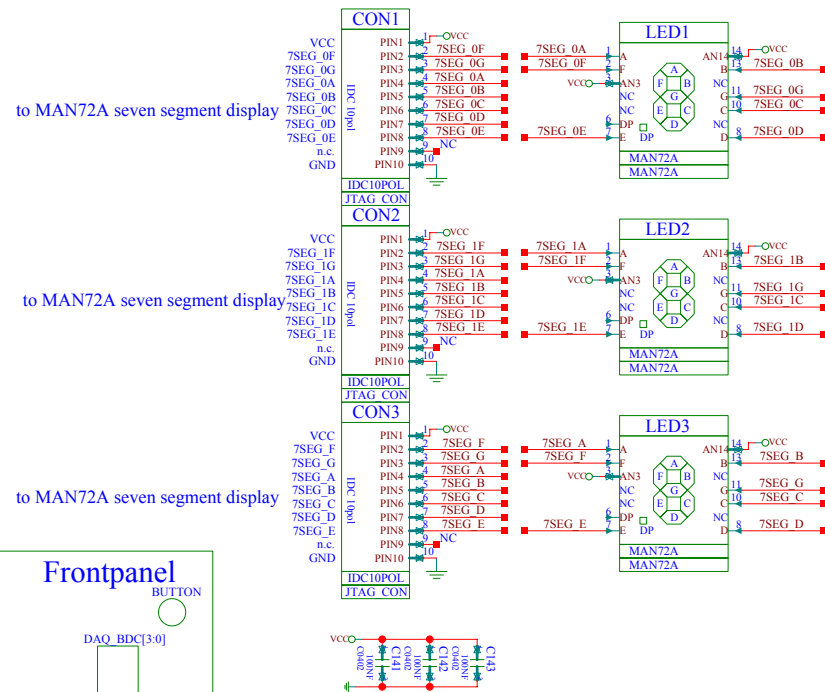
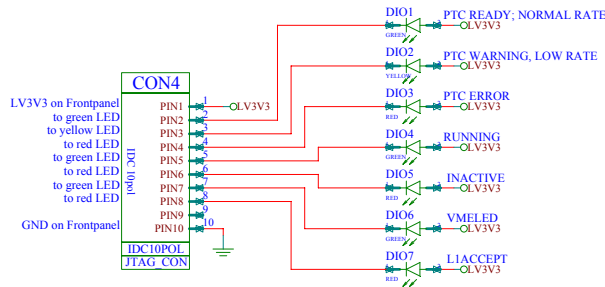


# DISPLAY mounted above all connectors

Inverted signals drive LEDs.



Switch of type KNITTER MSP101C mounted direct on Frontpanel  
 Part not in Orderlist: Please do not forget to order (FARNELL, Ordernr:808-076)  
 MAN72A to be mounted on 2 7pol-socketstrips  
 Due to lack of space on board use doublerow-header-strips instead of IDC10pol connectors  
 Please correct this in Orderlist.  
 To be sure that the connector ist in correct position:  
 seal pin 9 of flatcable connector  
 remove pin 9 before soldering CON1\_CON4 or cut pin later  
 Adjust height of LEDs DIOxx to each other and to 7-segment LEDx on socketstrips  
 Adjust height of mounting screws (distance holders)  
 solder CONx first, then socketstrips for LEDx and DIOx last  
 Cx may be soldered in any order to other components



Mounting Holes

<h1>TCS-9U</h1>	
<h2>FRONTPANEL_TCS</h2>	
HEPHY VIENNA ELEKTRONIK I	sheet <b>1</b> of <b>1</b>
modified by: M.PADRTA	2-10-2004_14:23
checked by: M.PADRTA	10-02-2004_09:30